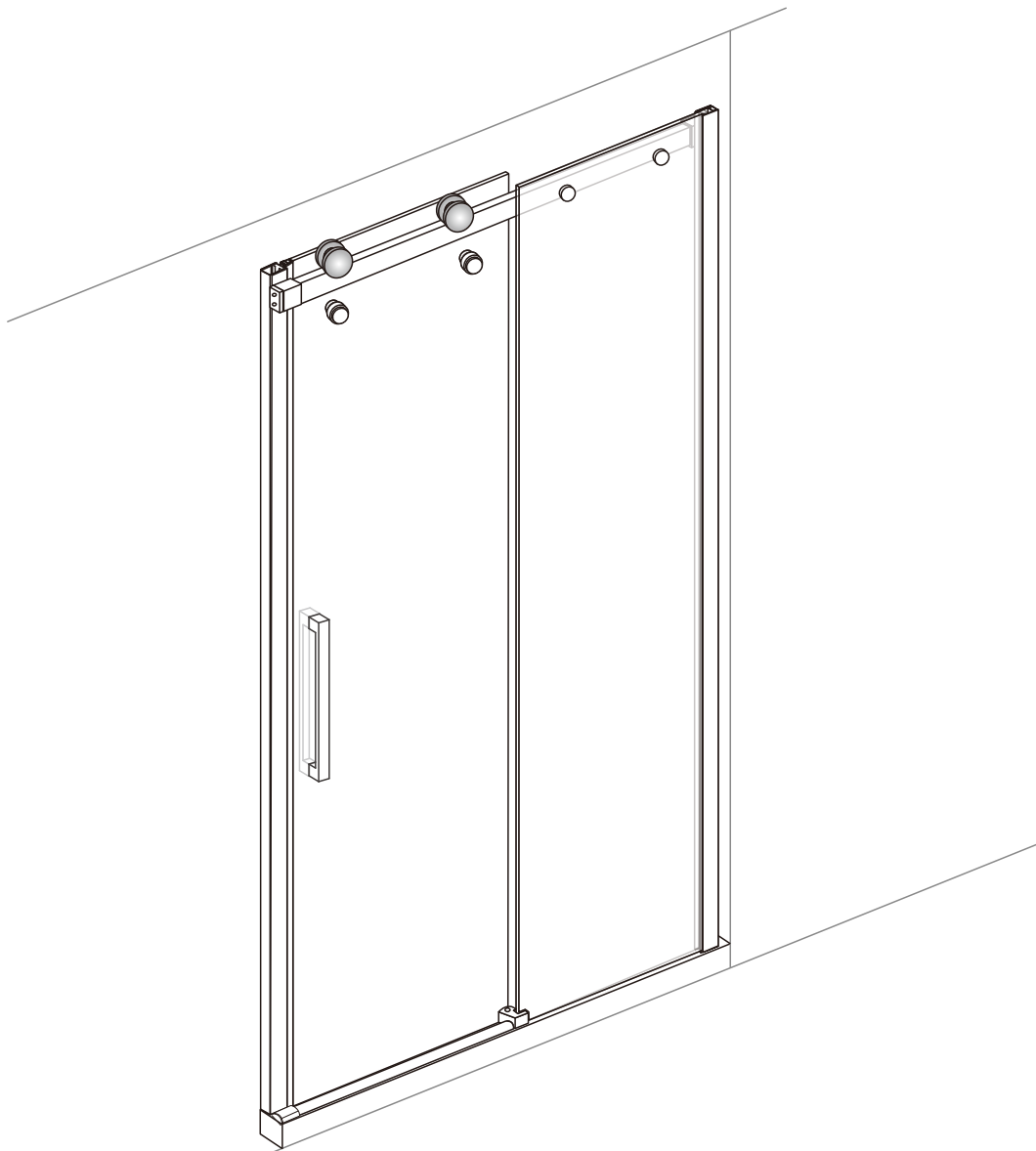




INSTALLATION MANUAL

EXPOSED ROLLER SHOWER DOOR



Left hand door installation shown

Questions, problems, missing parts?

Before returning to your retailer, call our customer service department at 1-800-288-4002, 9 a.m. - 8 p.m., EST, Monday - Friday

Jacuzzi items

60" x 79" - SX60826-BN / SX60827-CH

60" x 59" - SX59826-BN / SX59827-CH

48" x 79" - SX48826-BN / SX48827-CH



Important:

Jacuzzi Luxury Bath reserves the right to alter, modify or redesign products at any time without prior notice. Visit Jacuzzi.com for the latest version of installation manuals and warranty information.

Please inspect the product immediately upon receipt for freight damage, missing packs/parts, or manufacturing defect. Damage reported post delivery will not be responsibility of Jacuzzi Luxury Bath.

Read complete instructions before beginning installation. Remove the unit carefully from the carton. Retain the shipping carton until satisfactory inspection of the product has been made. Lay out and identify all parts using the installation instructions as reference. Inspect the carton for small hardware bags that tend to fall to the bottom of the carton. Handle the glass panels carefully and protect the edges. Safety tempered glass is very resistant to breakage, but it can be broken by banging the edges against a hard surface; also, it cannot be re-worked. Do not remove any protective devices until you are ready to install the glass panels as the sharp corners of the panels can damage tile and floor surfaces. Wear safety glasses whenever drilling or cutting. When drilling holes in ceramic tile or marble, use a center punch and hammer to carefully break the surface glaze so the drill can start without skidding.

This shower door can be installed with an entry to the left or to the right; also, these instructions show the installation for shower doors, but the same steps apply for bathtub doors.

Please consult with your local building codes if you have questions about installation compliance standards. These codes vary by location; Jacuzzi Luxury Bath is not responsible for local code compliance for the installation project and will not accept returns or claims associated with it.

Ensure that all surfaces are leveled, solid and will support the weight of the product that is marked on the packaging. Ensure also that the walls are at right angles. Irregular surface levels, improper angles of side walls or radius corners may result in serious problems during installation. This shower door allows for some adjustments and may include drilling during the installation process.

The shower door requires at least a 2 3/4" flat threshold space for installation. It may also require some drilling into the threshold of the shower base or floor.

Aftercare instructions

After use, your shower should be cleaned with soap and water. This is particularly important in hard water districts where insoluble lime salts may be deposited and allowed to build up. Cleaners of gritty or abrasive nature should not be used. Care should be taken to avoid contact with strong chemicals such as organic solvents and strippers.

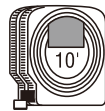
Glass cleaners can be used but with caution, if in doubt contact the manufacturer of the cleaner in question.

Please keep these instructions for aftercare and customer service details.

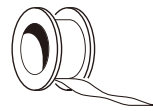
Tools required (not supplied)



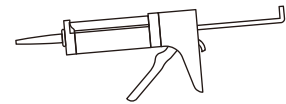
LEVEL



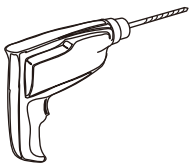
MEASURING TAPE



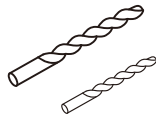
PAINTER'S TAPE



MILDEW RESISTANT RECOMMENDED



DRILL



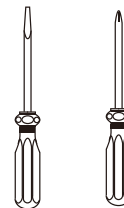
6MM & 3.2MM DRILL BITS



PENCIL



KNIFE



M4 & M5 SCREWDRIVER



HAMMER

*Masonry drill bit may be required for tile and ceramic installations.

It is recommended to verify that the correct door size will be installed by measuring the opening where the door will be installed and comparing it with the size labeled in the packaging. Cover the drain on the shower base in case small parts land near it.



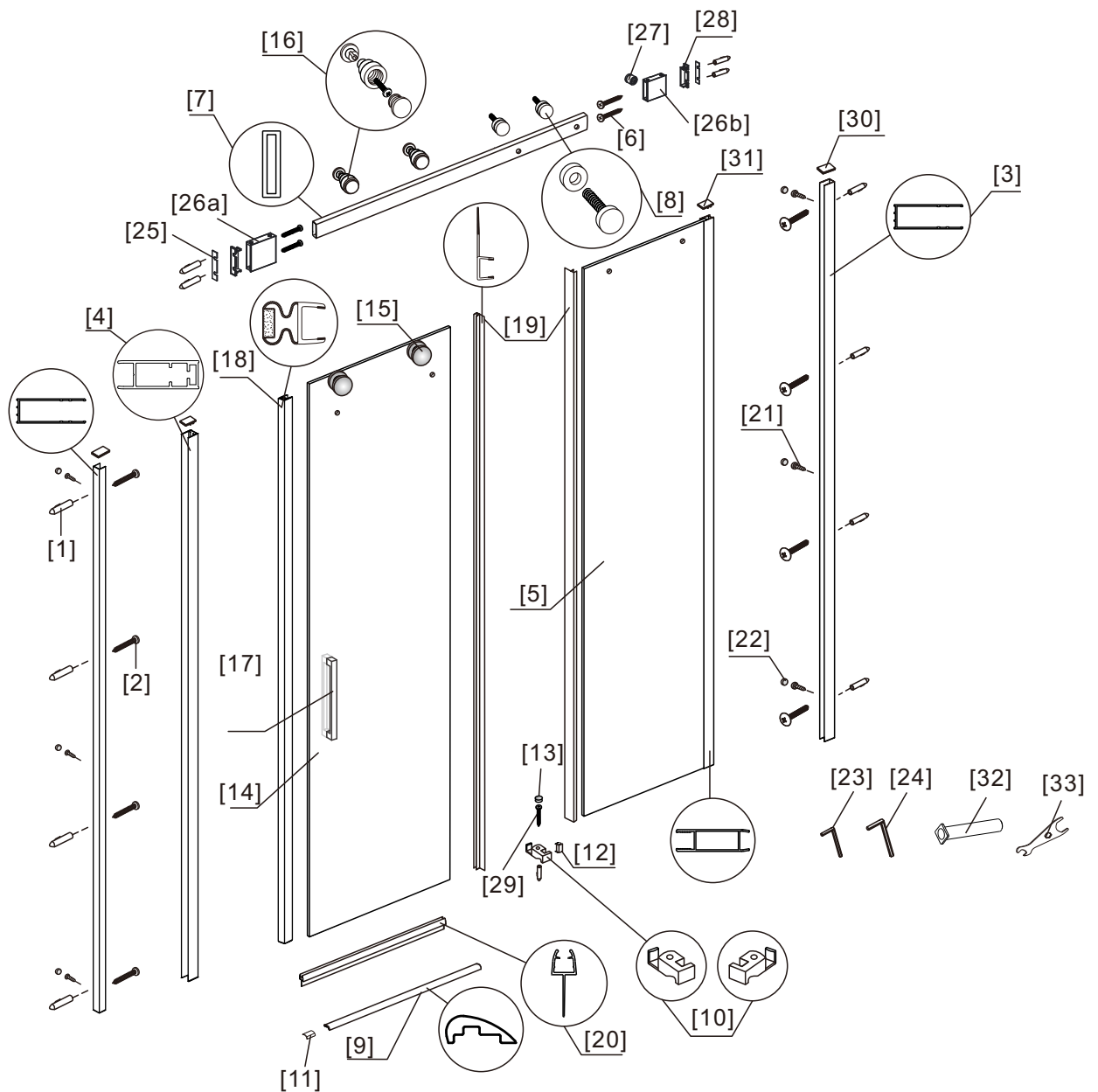
WARNING: THIS PRODUCT IS HEAVY AND MAY REQUIRE TWO PEOPLE TO INSTALL

Jacuzzi items

SX60826-BN / SX60827-CH

SX59826-BN / SX59827-CH

SX48826-BN / SX48827-CH



- [1] 13xWall plugs
- [2] 8xScrews M4x35
- [3] 2xWall jambs
- [4] 1xMagnet expander
- [5] 1xFixed panel
- [6] 4xFlat screws M5x35
- [7] 1xTop rail
- [8] 2xFasteners
- [9] 1xAluminum seal
- [10] 1xBottom guide
- [11] 1xEnd cap

- [12] 1xU gasket
- [13] 1xScrew cap
- [14] 1xDoor panel
- [15] 2xTop rollers
- [16] 2xAnti-jump
- [17] 1xHandle set
- [18] 1xMagnetic seal
- [19] 2xWater deflectors
- [20] 1xBottom gasket
- [21] 6xScrews M4x8
- [22] 6xScrew caps

- [23] 1x2mm Allen key
- [24] 1x3mm Allen key
- [25] 2xCushions
- [26] 2xWall connectors(a and b)
- [27] 1xStopper
- [28] 2xWall fixings
- [29] 1xScrew M4x25
- [30] 2xWall jamb top caps
- [31] 2xExpander top caps
- [32] 1xSleeve
- [33] 1xWrench

BOX CONTENTS:

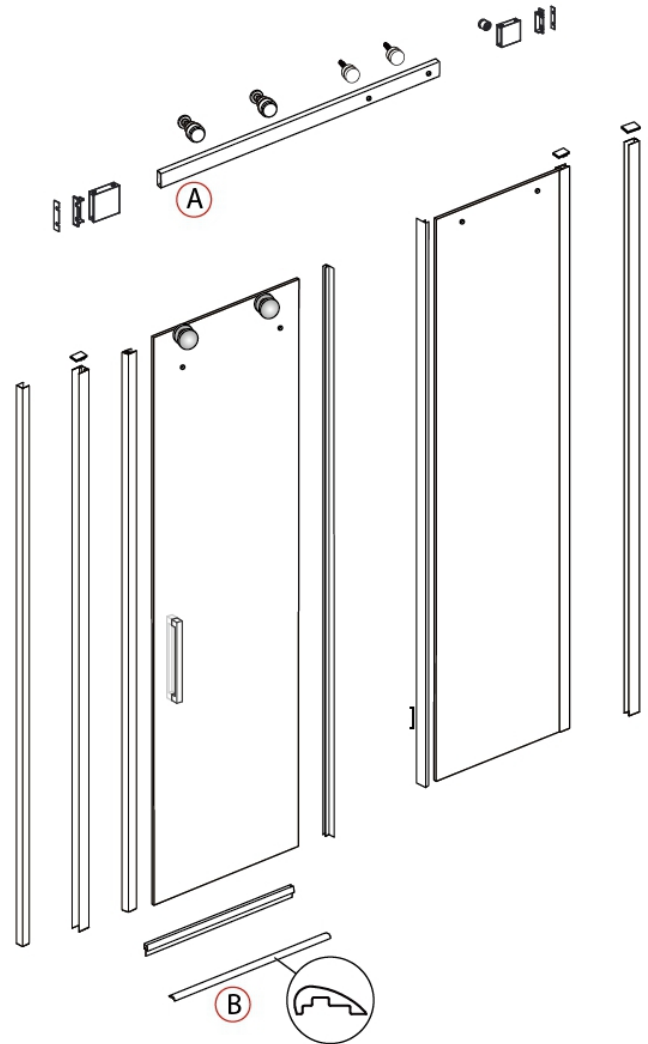
STEP 1	[1] 1xInstallation manual	➔	
	[1] 8xWall plugs [2] 8xScrews M4x35	➔	
	[3] 2xWall jambs	➔	
STEP 2	[4] 1xMagnet expander	➔	
	[5] 1xFixed panel	➔	
STEP 3	[1] 4xWall plugs [6] 4xFlat screws M5x35 [25] 2xCushions [26] 2xWall connectors [27] 1xStopper [28] 2xWall fixings	➔	
	[7] 1xTop rail	➔	
	[8] 2xFasteners	➔	
STEP 4	[9] 1xAluminum seal	➔	
	[1] 1xWall plug [10] 2xBottom guides [11] 2xEnd caps [12] 2xU gaskets [13] 2xScrew caps [29] 1xScrews M4x35	➔	
	[14] 1xDoor panel	➔	
STEP 5	[15] 2xTop rollers [33] 1xWrench	➔	
	[16] 2xAnti-jumps	➔	
STEP 6	[17] 1xHandle set	➔	
	[18] 1xMagnetic seal	➔	
	[19] 2xWater deflectors [20] 1xBottom gasket	➔	
STEP 8	[21] 6xScrews M4x8 [22] 6xScrew caps	➔	
	[23] 1x2mm Allen key [24] 1x3mm Allen key [32] 1xSleeve	➔	
9	[30] 2xWall jamb top caps [31] 2xExpander top caps	➔	

Exposed Roller Door Cutting Instructions

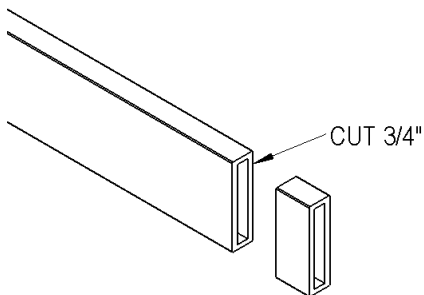
(SX48XXX, SX59XXX, SX60XXX)

This modification is only required when the shower alcove measure less than 57-7/8"

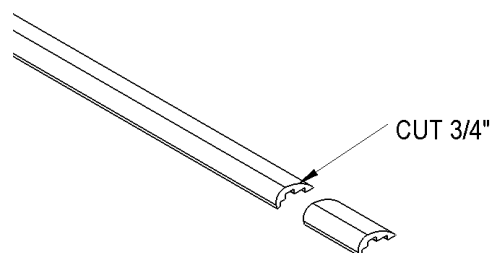
1. Locate the shower door top rail (A) and bottom door threshold (B)
- ⚠ 2. The top rail **MUST** be cut on the side that is away from the fixed glass door
3. Cut $\frac{3}{4}$ " off the top rail using an appropriate saw
4. Cut $\frac{3}{4}$ " off the bottom threshold
5. Once the cutting is complete follow the instructions to complete the installation



Step 3



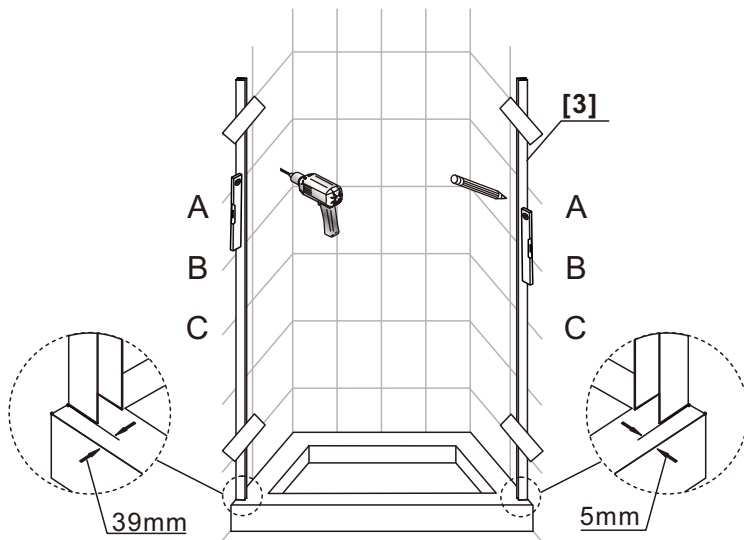
Step 4



INSTALLATION STEPS:

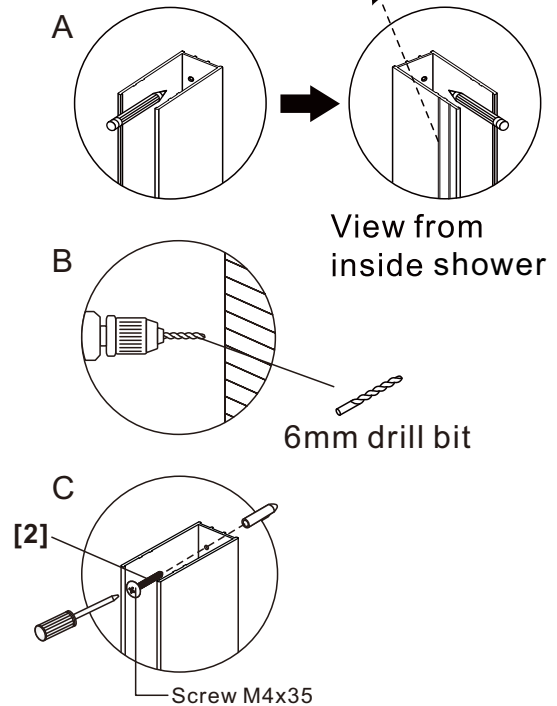
Step 1: Install wall jambs

NOTE: Temporarily hold in place with painter's tape

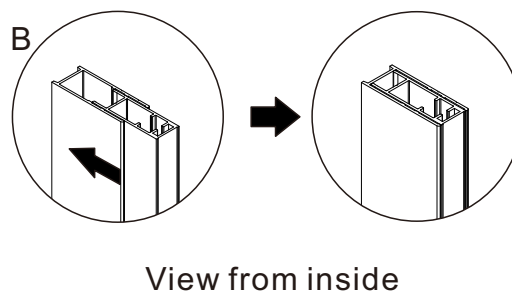
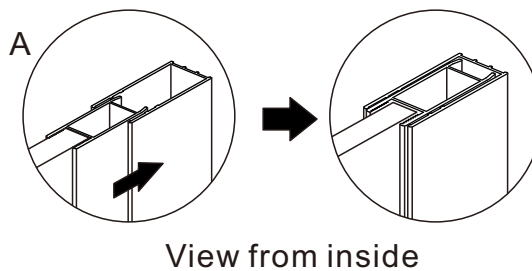
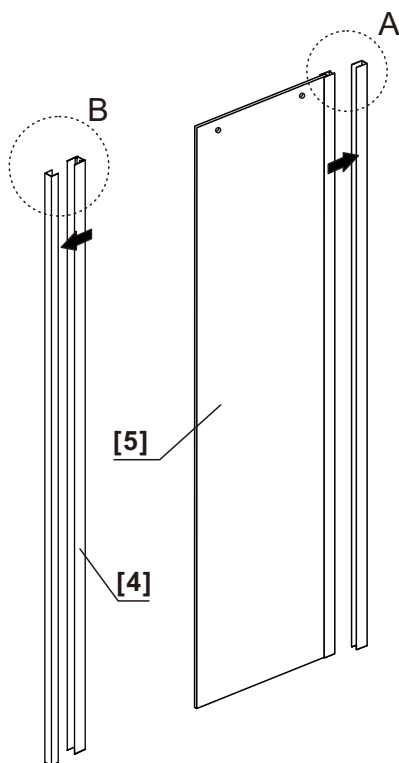


When the alcove measures less than 57-7/8", the top rail [7] and bottom threshold [9] should be cut off, please review to P5.

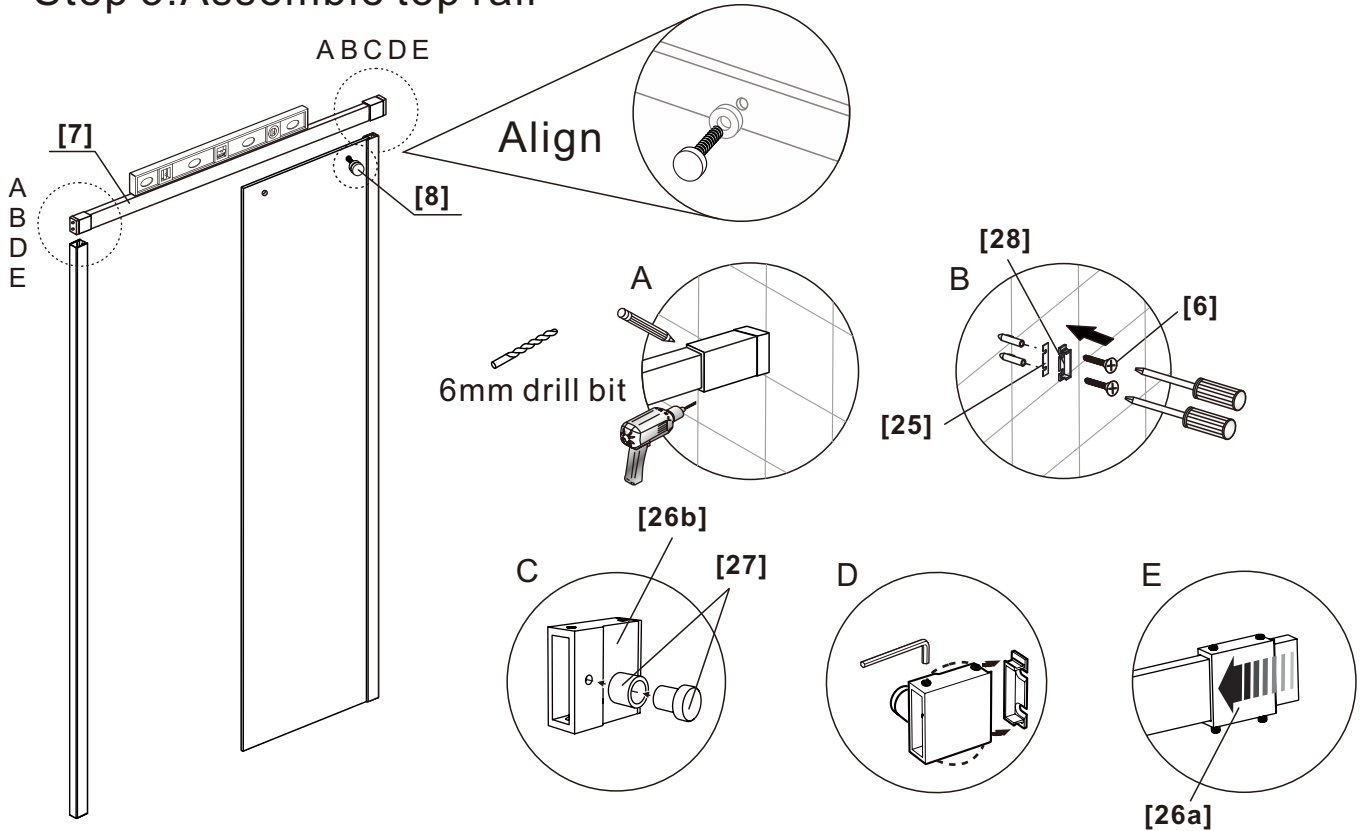
Interior side has "v" grooves



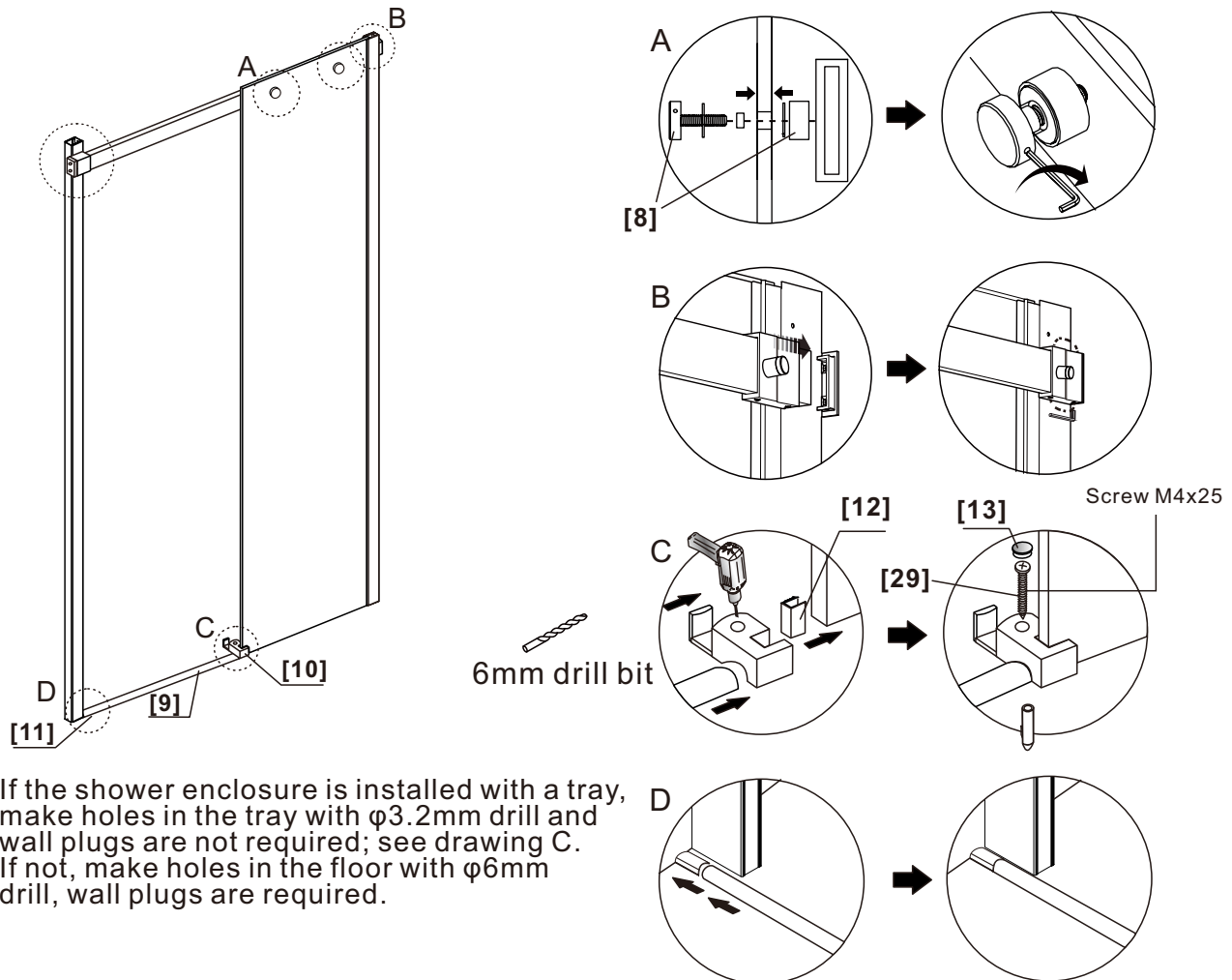
Step 2: Assemble fixed panel



Step 3: Assemble top rail

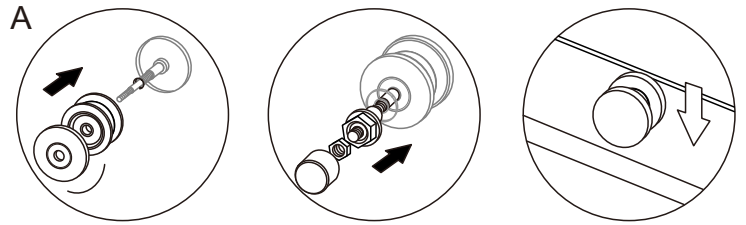
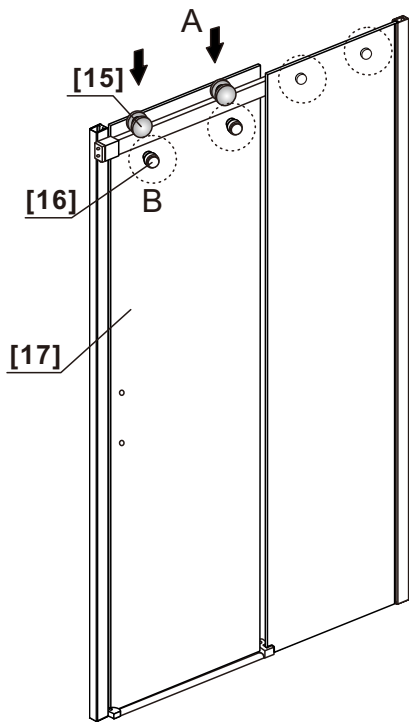


Step 4: Attach top rail and bottom trim

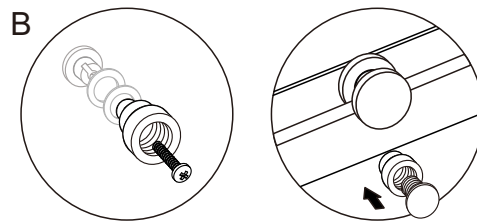


If the shower enclosure is installed with a tray, make holes in the tray with $\phi 3.2\text{mm}$ drill and wall plugs are not required; see drawing C. If not, make holes in the floor with $\phi 6\text{mm}$ drill, wall plugs are required.

Step 5: Attach sliding door hardware

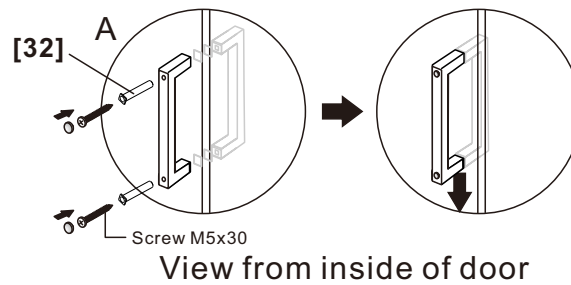
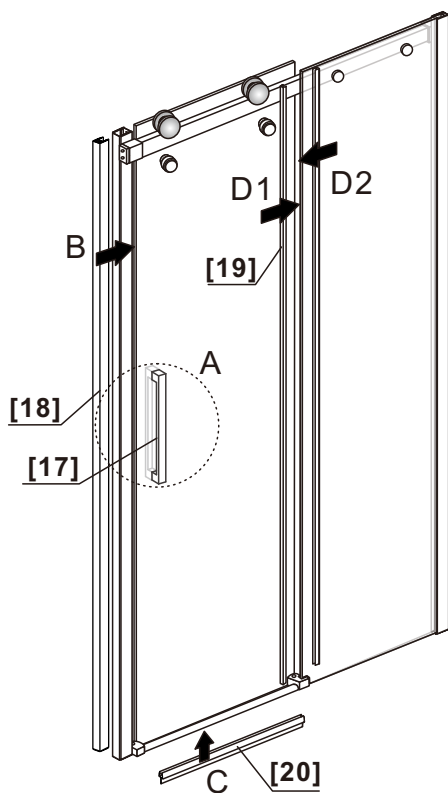


Top wheel

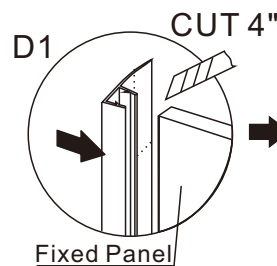
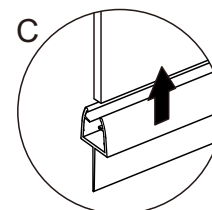
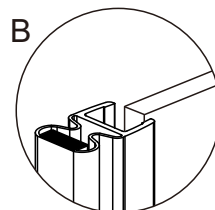


Anti - jump

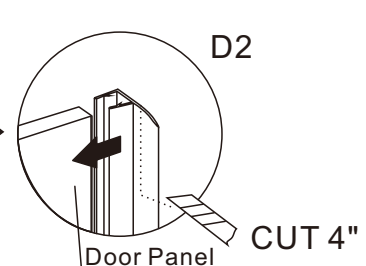
Step 6: Attach handle and gaskets



View from inside of door



Fixed Panel

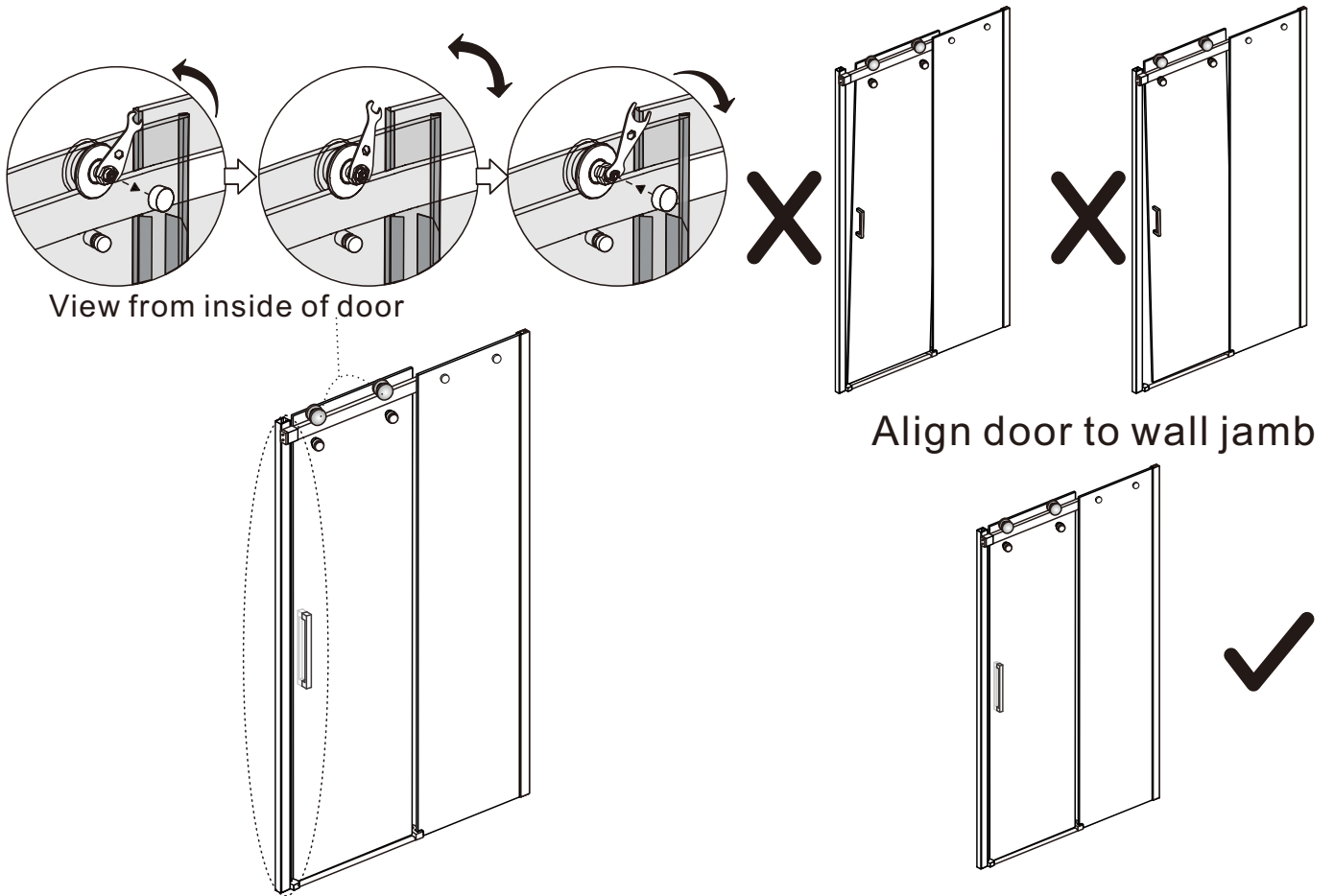


Door Panel

CUT 4"

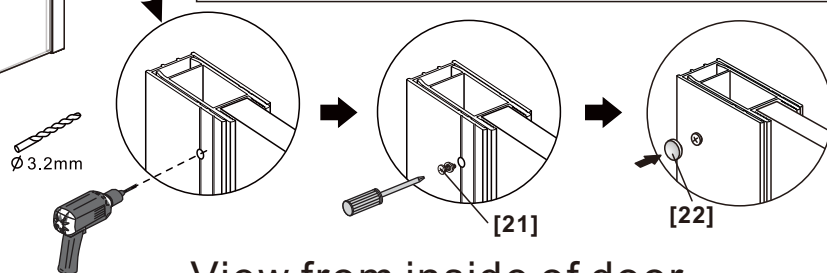
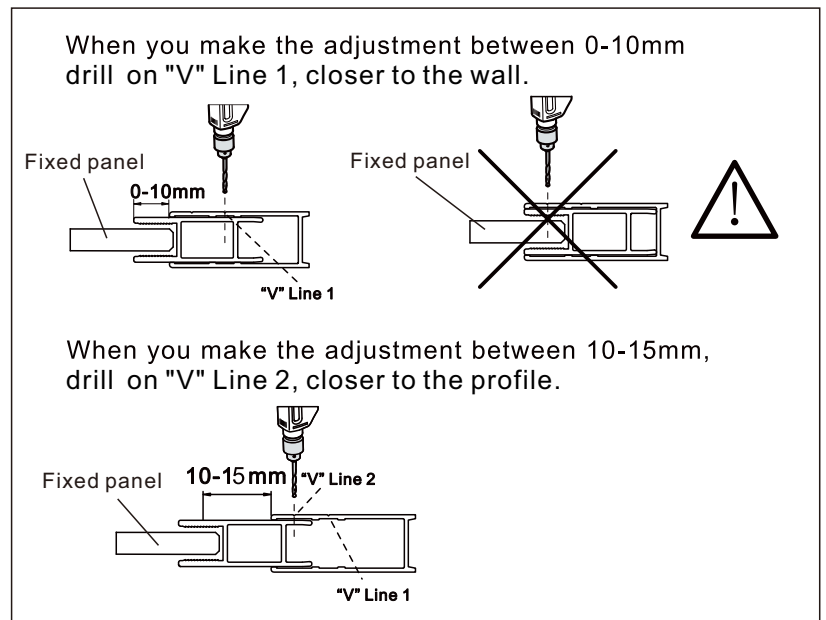
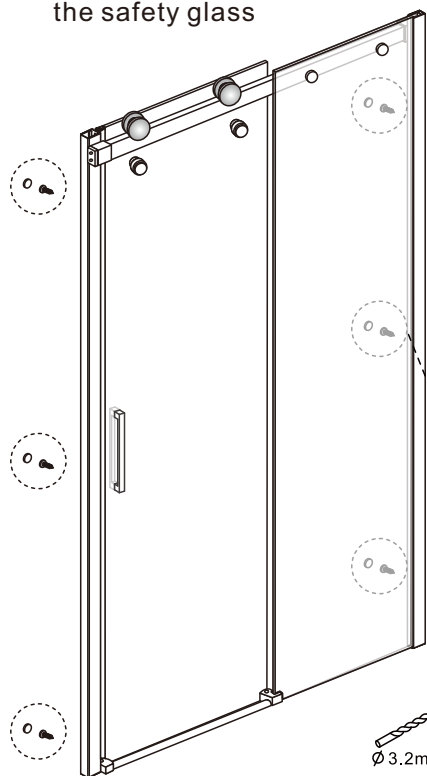
! Ensure wall profiles are plumb.
Adjust enclosure to be square and level.
Wheels should be adjusted to square the doors and ensure smooth running.

Step 7: Leveling adjustments



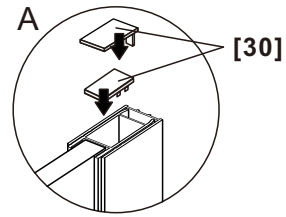
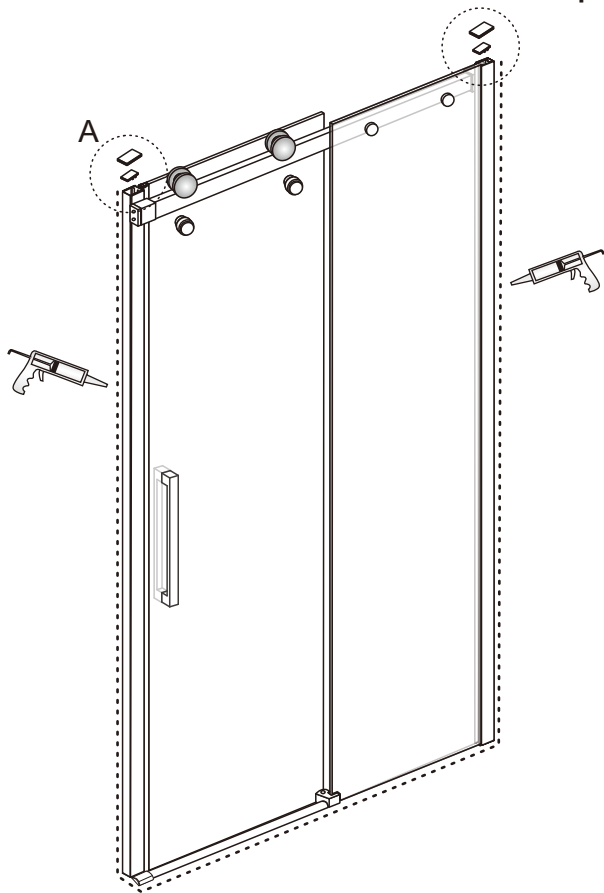
Step 8: Final securing of door

Warning: Do not drill through the safety glass



View from inside of door

Step 9: Apply silicone on the inside and outside of the door, and attach top caps

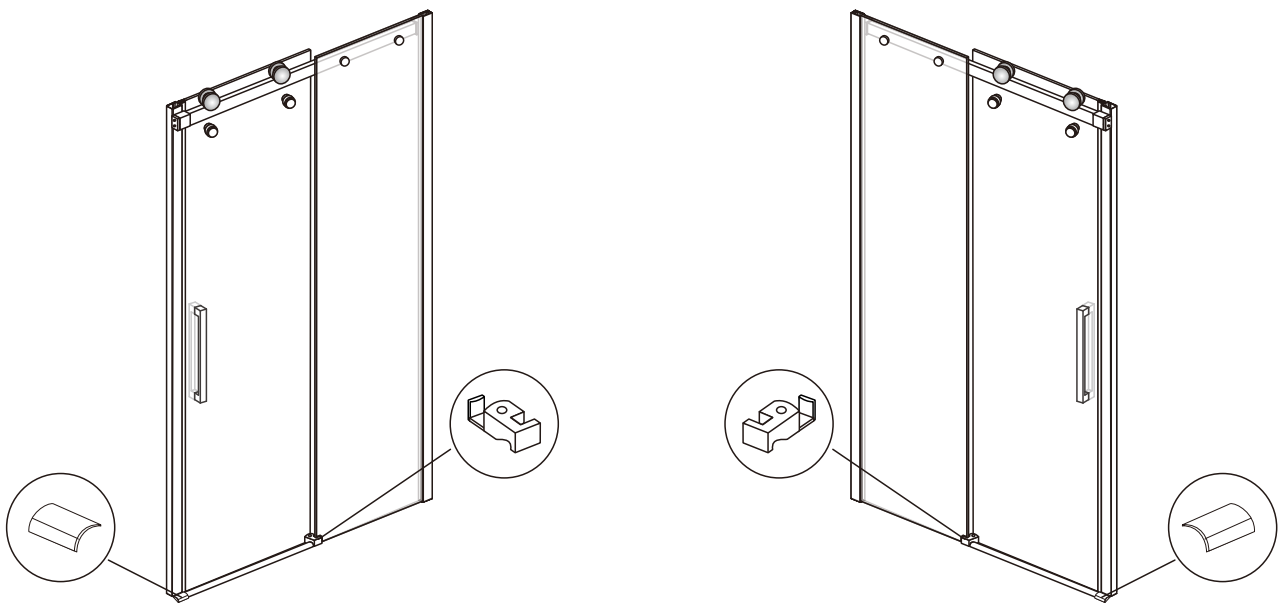


View from outside of door



Allow 24 hours for silicone to dry before use

DO NOT USE SHOWER



Reverse to install the door from LH to RH.



One Year Limited Warranty on Jacuzzi® Branded Shower Doors

Jacuzzi Luxury Bath ("Company") offers a one year warranty to the original purchaser ("user") of a Jacuzzi® branded shower door(s) for personal or single family residential use, subject to the following terms, conditions and limitations. The Company will repair or replace, at its sole option, the shower door(s) or its component parts in accordance with the terms, conditions and limitations set forth in this limited warranty. Units in commercial use are excluded from any warranty coverage whatsoever. PLEASE READ THIS ENTIRE LIMITED WARRANTY, AS EXCLUSIONS AND CONDITIONS APPLY. All portions of the shower door(s) are warranted against defects in material and workmanship for one year from date of purchase. This warranty does not apply to any display models or to any options or accessories not specifically mentioned herein. Warranty coverage begins on the date the unit was originally purchased by the user from an authorized Jacuzzi® dealer. The warranties provided by Company do not cover labor, and are parts only warranties.

The components referenced above and coverage of this warranty are for defects in material or workmanship, and not damage caused by installation, neglect, modification, alteration, misuse, abuse, hard water conditions, optional equipment, the unit's prior usage as an operational display, defects that should have been discovered before installation, or failure to follow the instructions and warnings set forth in the owner's manual, including but not limited to cleaning of the shower door and its component parts, such as using chemicals, abrasives, acids, solvents, etc. Inspecting the unit prior to installation is the responsibility of the user, as well as the installer or building contractor who acts on behalf of the user. In the event of a problem, the unit must not be installed. The Company is not responsible for failures or damage that could have been discovered, repaired, or avoided by proper inspection and testing prior to installation. Damage occurring in transit is the responsibility of the carrier. Damage occurring to the unit during installation is the responsibility of the installer, building contractor and/or user, and damage occurring thereafter is the responsibility of the user. The distributor, dealer and user are responsible for knowing local code requirements and notifying the installing contractor of these requirements at the time of purchase. The Company is not responsible for costs to modify any product to obtain any code approval, such as city, county, or state building codes in U.S.A. or federal, municipal, provincial or other codes in Canada and Mexico. To make a claim, user must first contact Company and thereafter return any part claimed to be defective within the warranty period to Company, freight prepaid. Proof of purchase (original sales receipt) must accompany all warranty claims. Defects or damage caused by the use of other than genuine Company parts is not covered by this warranty.

IMPLIED WARRANTIES OF MERCHANTABILITY AND FITNESS FOR A PARTICULAR PURPOSE ARE DISCLAIMED. THIS WARRANTY TAKES THE PLACE OF ALL OTHER WARRANTIES, EXPRESS OR IMPLIED, IN FACT OR AT LAW, INCLUDING IMPLIED WARRANTIES OF MERCHANTABILITY AND FITNESS FOR A PARTICULAR PURPOSE. COMPANY RESERVES THE RIGHT TO USE REPLACEMENT PARTS THAT MAY BE DIFFERENT FROM THE ORIGINAL SHOWER DOOR OR ITS COMPONENT PARTS, INCLUDING BUT NOT LIMITED TO DIFFERENT IN APPEARANCE, CONFIGURATION, PERFORMANCE AND/OR STRUCTURE. NO AGENT, DEALER, DISTRIBUTOR, SERVICE COMPANY OR OTHER PARTY IS AUTHORIZED TO CHANGE, MODIFY OR EXTEND THE TERMS OF THIS LIMITED WARRANTY IN ANY MANNER WHATSOEVER. IN ADDITION, THE COMPANY WILL NOT BE RESPONSIBLE FOR INCIDENTAL OR CONSEQUENTIAL DAMAGES OR LOSSES ARISING FROM ANY CAUSE INCLUDING BUT NOT LIMITED TO ITS OWN NEGLIGENCE. THIS EXCLUSION APPLIES EVEN IF COMPANY WAS ADVISED IN ADVANCE OF THE POSSIBILITY OF SUCH DAMAGES. THIS LIMITED WARRANTY DOES NOT INCLUDE LABOR, TRANSPORTATION, OR OTHER COSTS INCURRED IN THE REMOVAL AND/OR REINSTALLATION OF THE ORIGINAL UNIT AND/OR INSTALLATION OF A REPLACEMENT UNIT; ANY COSTS RELATING TO OBTAINING ACCESS FOR REPAIR; OR LOSS OF USE DAMAGE, INCLUDING LOSS OF SALES, PROFIT OR BUSINESS ADVANTAGE OF ANY KIND UNDER ANY CIRCUMSTANCES. WARRANTY COVERAGE IS PROVIDED IN THE UNITED STATES OF AMERICA, CANADA AND MEXICO ONLY. ALL REPLACEMENT PARTS, EQUIPMENT, AND REPAIRS SHALL ASSUME THE REMAINING WARRANTY PERIOD OF THE PART(S) REPLACED. THE COMPANY'S WARRANTY OBLIGATION SHALL BE DISCHARGED UPON TENDER OF REPLACEMENT OR REPAIR. THE CUSTOMER'S REFUSAL TO ACCEPT THE TENDER TERMINATES THE COMPANY'S WARRANTY OBLIGATION. THE LIABILITY OF COMPANY UNDER THIS LIMITED WARRANTY, IF ANY, SHALL NOT EXCEED THE ORIGINAL AMOUNT PAID FOR THE PRODUCT CLAIMED TO BE DEFECTIVE. THESE DISCLAIMERS SHALL BE EQUALLY APPLICABLE TO ANY SERVICE PROVIDED BY COMPANY AND ITS DESIGNATED REPRESENTATIVES.

The Company will provide the warranty service described above when the following conditions have been met: the failure is of the nature or type covered by the warranty; the user has informed an Authorized Jacuzzi Luxury Bath Service Agent or Warranty Service Department Representative of the nature of the problem during the warranty period; conclusive evidence (e.g., dated proof of purchase) is provided to the foregoing by the user proving that the failure occurred or was discovered within the warranty period; and, an authorized independent service person or Company representative has been permitted to inspect the unit during regular business hours within a reasonable time after the problem was reported by the user. To obtain warranty service, contact Company at: www.jacuzzi.com or Warranty Service Department, 14525 Monte Vista Avenue, Chino, California 91710, (800) 288-4002.

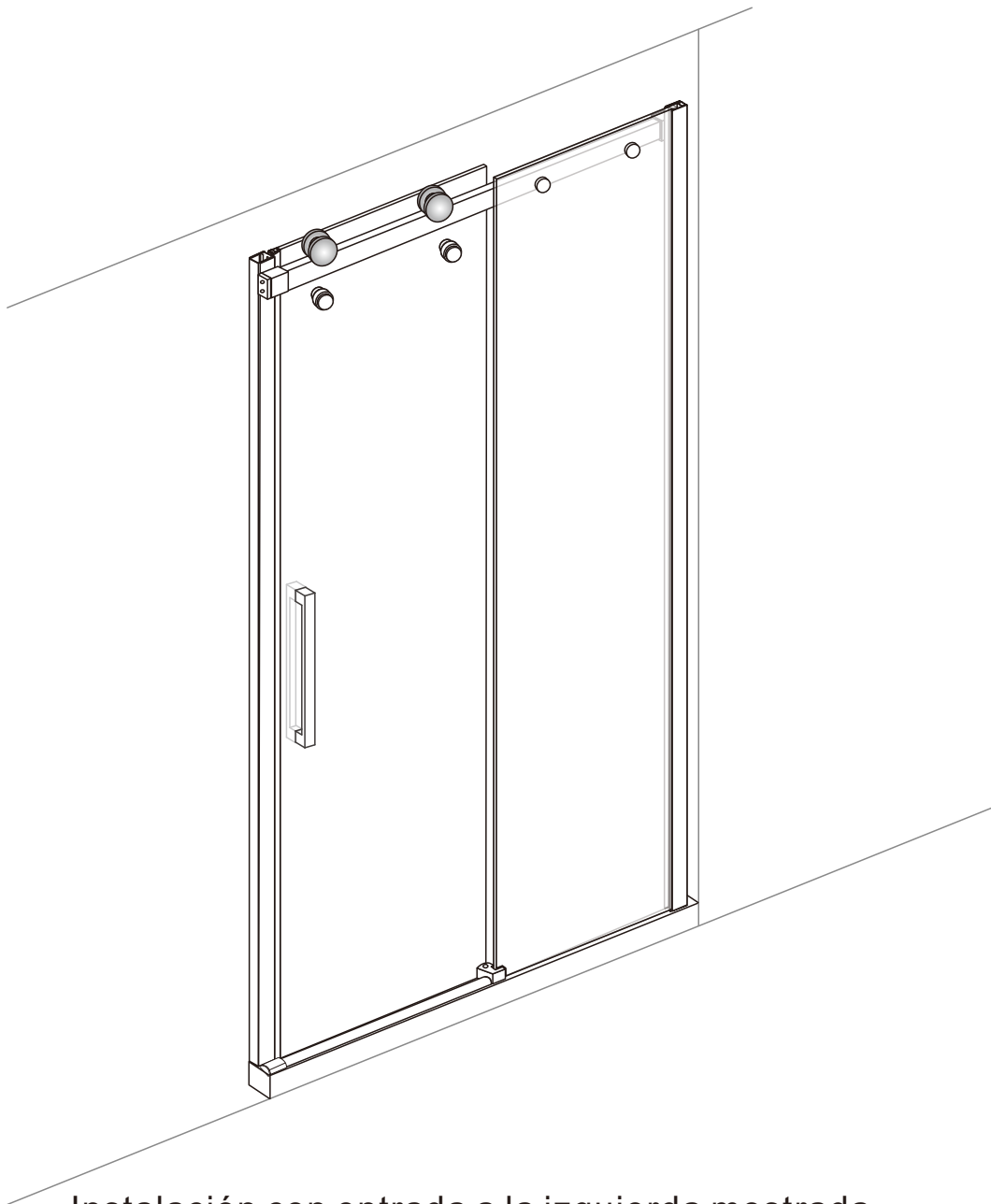
LEGAL RIGHTS: This Limited Warranty gives you specific legal rights. There are no warranties applicable to Jacuzzi® products except as expressly stated herein or as implied by applicable state and federal laws, and not excluded. You may also have other rights that vary from state to state. Some states do not allow limitations on how long an implied warranty lasts, disclaimer of certain warranties, or the exclusion or limitation of incidental damages, so some of the above limitations may not apply to you. Company will not be responsible for any statements or representations made in any form that go beyond, are broader than or are inconsistent with any authorized literature or specifications furnished by the Company.

Rev. 201812



MANUAL DE INSTALACIÓN

CANCEL DE RUEDAS EXPUESTAS



Instalación con entrada a la izquierda mostrada

¿Preguntas, problemas o partes faltantes?

Antes de regresar a su distribuidor, contáctese a nuestro departamento de servicio al cliente al 1-800-288-4002, 9 a.m. - 8 p.m., EST, Lunes - Viernes.

Para partes Jacuzzi®

60" x 76" - SD60826-BN / SD60827-CH / SD60817-MB
60" x 59" - SD59826-BN / SD59827-CH / SD59817-MB
48" x 76" - SD48826-BN / SD48827-CH / SD48817-MB



Importante:

Jacuzzi Luxury Bath se reserve el derecho de alterar, modificar o rediseñar sus productos en cualquier momento sin previa notificación. Visite www.jacuzzi.com para encontrar la versión más reciente de los manuales de instalación y documentos de garantía.

Favor de inspeccionar cuidadosamente el product en busca de daño por distribución, partes faltantes o defectos de manufactura. Reclamos por daño de distribución no son responsabilidad de Jacuzzi Luxury Bath una vez aceptado el product.

Lea cuidadosamente las instrucciones antes de instalar el product. Extraiga el product de la caja con cuidado. Mantenga la caja original hasta haber completado la inspección del product. Identifique todas las partes requeridas para la instalación. Verifique que todas las partes hayan sido extraídas de la caja, puesto que algunas de las partes más pequeñas pueden esconderse en el fondo. Maneje el vidrio con mucho cuidado y proteja las orillas. Vidrio templado es muy resistente, pero puede romperse si las orillas golpean superficies duras. Una vez dañado, el vidrio templado no puede ser reparado. No remueva los protectors hasta que esté listo para instalar el vidrio ya que las orillas del vidrio pueden dañar mosaicos y la superficie de pisos. Utilice gafas de protección cuando corte o taladre materiales. Si va a taladrar en mosaico o cantera, utilice una guía cental y un martillo para romper la primer capa y evitar que el taladro se deslice.

Este cancel puede ser instalado con entrada a la izquierda o derecho. Las instrucciones siguientes muestran la instalación para un cancel de baño, pero los mismos pasos deben seguirse para instalar un cancel de ducha.

Consulte con los códigos de instalaciones locales en su área. Dichos códigos varían por region. Jacuzzi Luxury Bath no se aceptará devoluciones causadas por quejas asociadas a faltas a los códigos de instalación locales.

Asegúrese que todas las superficies estén niveladas, sean sólidas y puedan soportar el peso del product según lo indicado en la caja. Las paredes deben tener ángulos rectos. Superficies irregulares causarán problemas de instalación. Este cancel permite ciertos ajustes y puede requerir taladrar superficies.

La instalación de este cancel requiere al menos 2 3/4" de superficie plana en la base. Puede requerir taladrar en la base.

Instrucciones sobre el cuidado

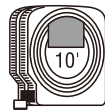
Lave el cancel con agua y jabón después de cada uso. Esto es particularmente importante en áreas de agua dura, donde alto grado de depósitos de sal pueden acumularse. Este cancel ha sido tratada con agentes que reducen dichos depósitos para facilitar su aseo y cuidado.

No utilice limpiadores abrasivos. Evite el uso de químicos Fuertes tales como solvents orgánicos. Mantenga estas instrucciones como referencia future.

Herramientas requeridas (no incluidas)



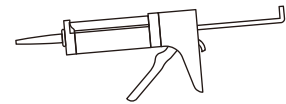
NIVEL



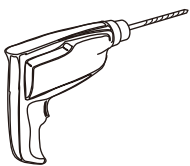
CINTA DE
MEDIR



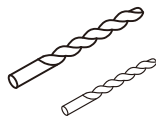
CINTA DE
PINTOR



SILICÓN
RESISTENTE AL
MOHO



TALADRO



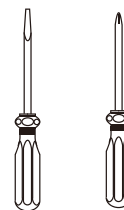
6MM & 3.2MM
BROCAS*



LÁPIZ



NAVAJA



DESARMADO
RES M4 Y M5



MARTILLO

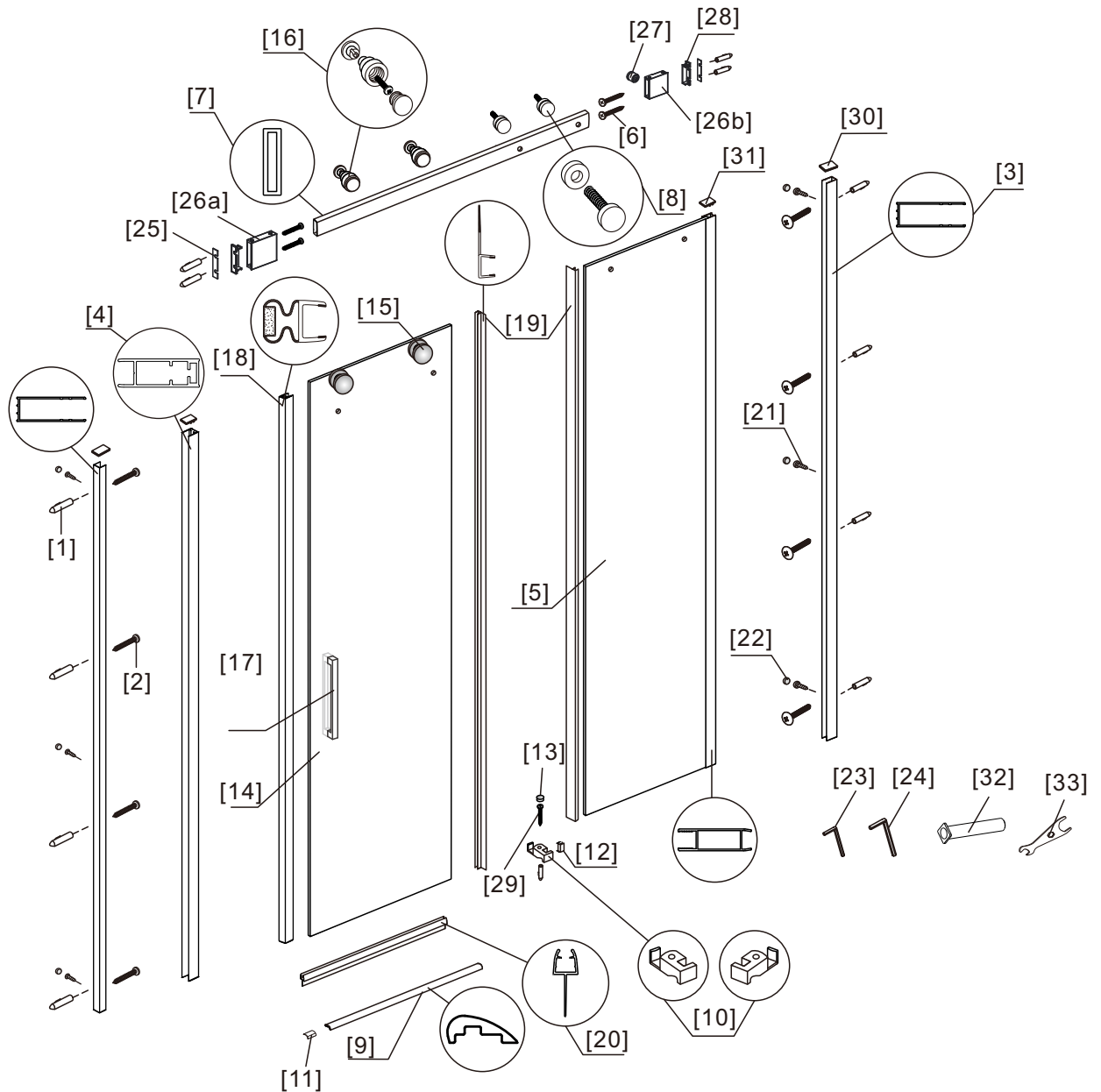
*Taladro de albañilería puede ser requerido para instalaciones en mosaico y cerámica.

Se recomienda verificar que el cancel es del tamaño correcto para el espacio donde será instalado. Mida el espacio y compárelo con las dimensiones del cancel señaladas en la caja. Cubra la rejilla de drenaje para evitar que partes o basura la obstruyan.



ADVERTENCIA: ESTE PRODUCTO ES PESADO Y PUEDE REQUERIR DE DOS PERSONAS PARA INSTALARSE

Para modelos:
 SX60826-BN / SX60827-CH
 SX59826-BN / SX59827-CH
 SX48826-BN / SX48827-CH



- | | | |
|-------------------------|-------------------------|---------------------------------|
| [1] 13xWall plugs | [12] 1xU gasket | [23] 1x2mm Allen key |
| [2] 8xScrews M4x35 | [13] 1xScrew cap | [24] 1x3mm Allen key |
| [3] 2xWall jambs | [14] 1xDoor panel | [25] 2xCushions |
| [4] 1xMagnet expander | [15] 2xTop rollers | [26] 2xWall connectors(a and b) |
| [5] 1xFixed panel | [16] 2xAnti-jump | [27] 1xStopper |
| [6] 4xFlat screws M5x35 | [17] 1xHandle set | [28] 2xWall fixings |
| [7] 1xTop rail | [18] 1xMagnetic seal | [29] 1xScrew M4x25 |
| [8] 2xFasteners | [19] 2xWater deflectors | [30] 2xWall jamb top caps |
| [9] 1xAluminum seal | [20] 1xBottom gasket | [31] 2xExpander top caps |
| [10] 1xBottom guide | [21] 6xScrews M4x8 | [32] 1xSleeve |
| [11] 1xEnd cap | [22] 6xScrew caps | [33] 1xWrench |

CONTENIDO DE LA CAJA:

PASO 1	1xInstallation manual	➔	
	[1] 8xWall plugs [2] 8xScrews M4x35	➔	
	[3] 2xWall jambs	➔	
PASO 2	[4] 1xMagnet expander	➔	
	[5] 1xFixed panel	➔	
PASO 3	[1] 4xWall plugs [6] 4xFlat screws M5x35 [25] 2xCushions [26] 2xWall connectors [27] 1xStopper [28] 2xWall fixings	➔	
	[7] 1xTop rail	➔	
	[8] 2xFasteners	➔	
PASO 4	[9] 1xAluminum seal	➔	
	[1] 1xWall plug [10] 2xBottom guides [11] 2xEnd caps [12] 2xU gaskets [13] 2xScrew caps [29] 1xScrews M4x35	➔	
PASO 5	[14] 1xDoor panel	➔	
	[15] 2xTop rollers [33] 1xWrench	➔	
	[16] 2xAnti-jumps	➔	
PASO 6	[17] 1xHandle set	➔	
	[18] 1xMagnetic seal	➔	
	[19] 2xWater deflectors [20] 1xBottom gasket	➔	
PASO 8	[21] 6xScrews M4x8 [22] 6xScrew caps	➔	
	[23] 1x2mm Allen key [24] 1x3mm Allen key [32] 1xSleeve	➔	
9	[30] 2xWall jamb top caps [31] 2xExpander top caps	➔	

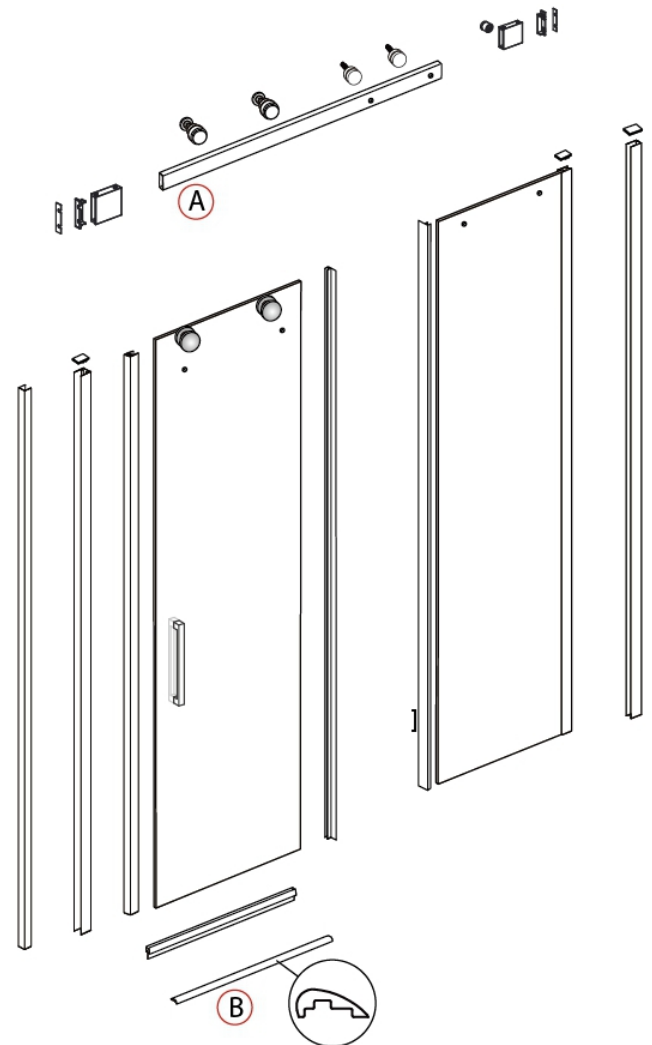
Instrucciones para cortar Cancel de Ruedas Expuestas



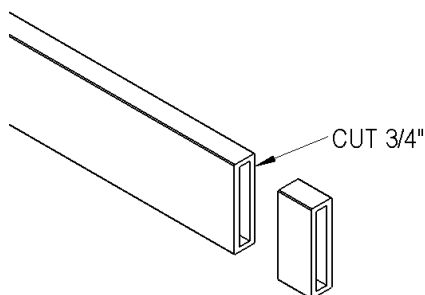
(SX48XXX, SX59XXX, SX60XXX)

Esta modificación es requerida cuando el espacio de pared a pared es menor a 57 7/8".

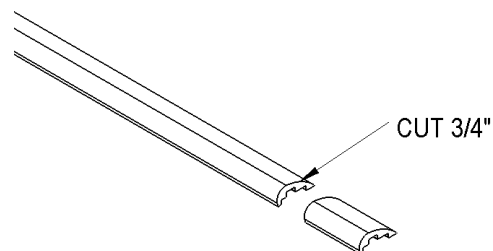
1. Ubique el riel superior (A) y la guía inferior (B).
- ⚠ 2. El riel superior debe cortarse del lado opuesto al que colinda con el panel de vidrio fijo.
3. Corte 3/4" del riel superior usando un serrucho apropiado.
4. Corte 3/4" de la guía inferior del lado opuesto al que se atornilla al marco lateral.
5. Una vez que haya completado estos pasos, continúe con la instalación del cancel.



Paso 3



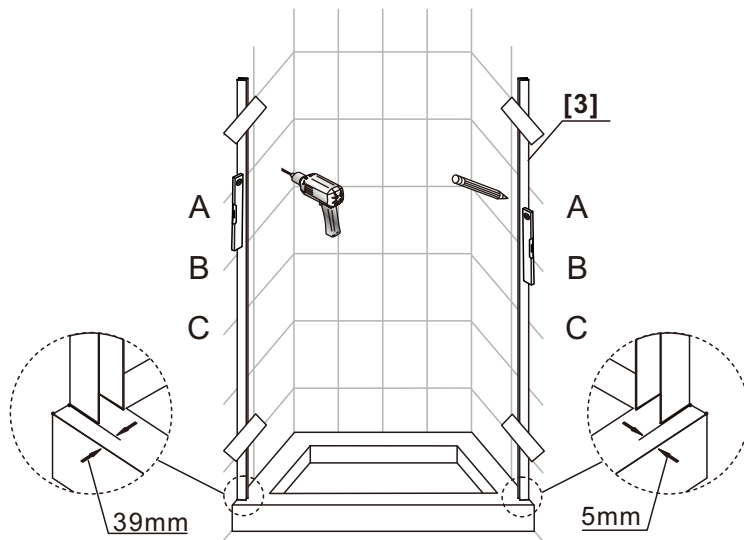
Paso 4



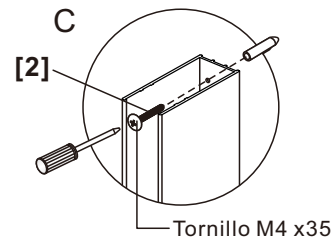
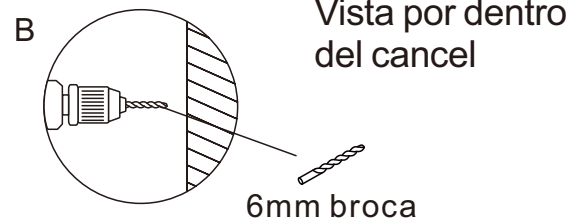
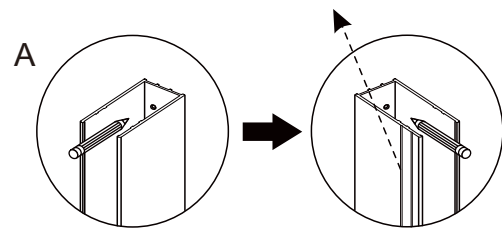
PASOS DE INSTALACIÓN:

Paso 1: Instale los marcos laterales

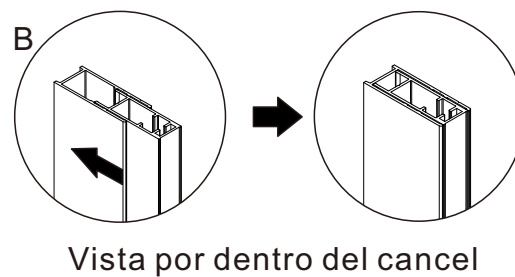
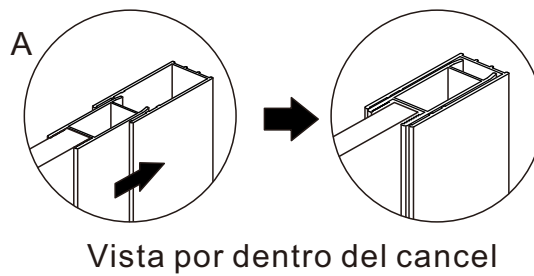
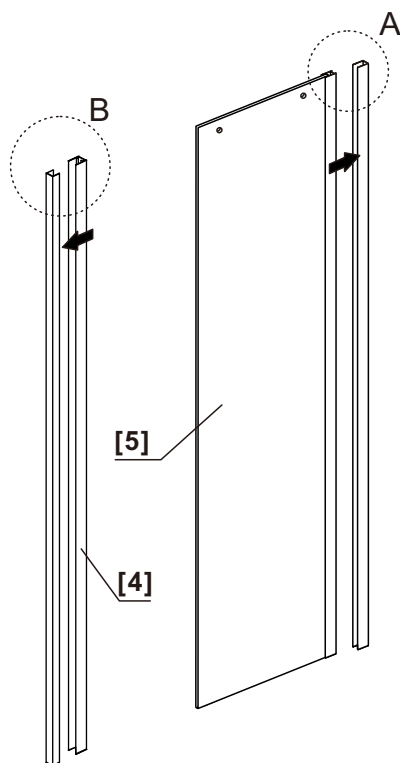
NOTA: Sujete con cinta de pintor



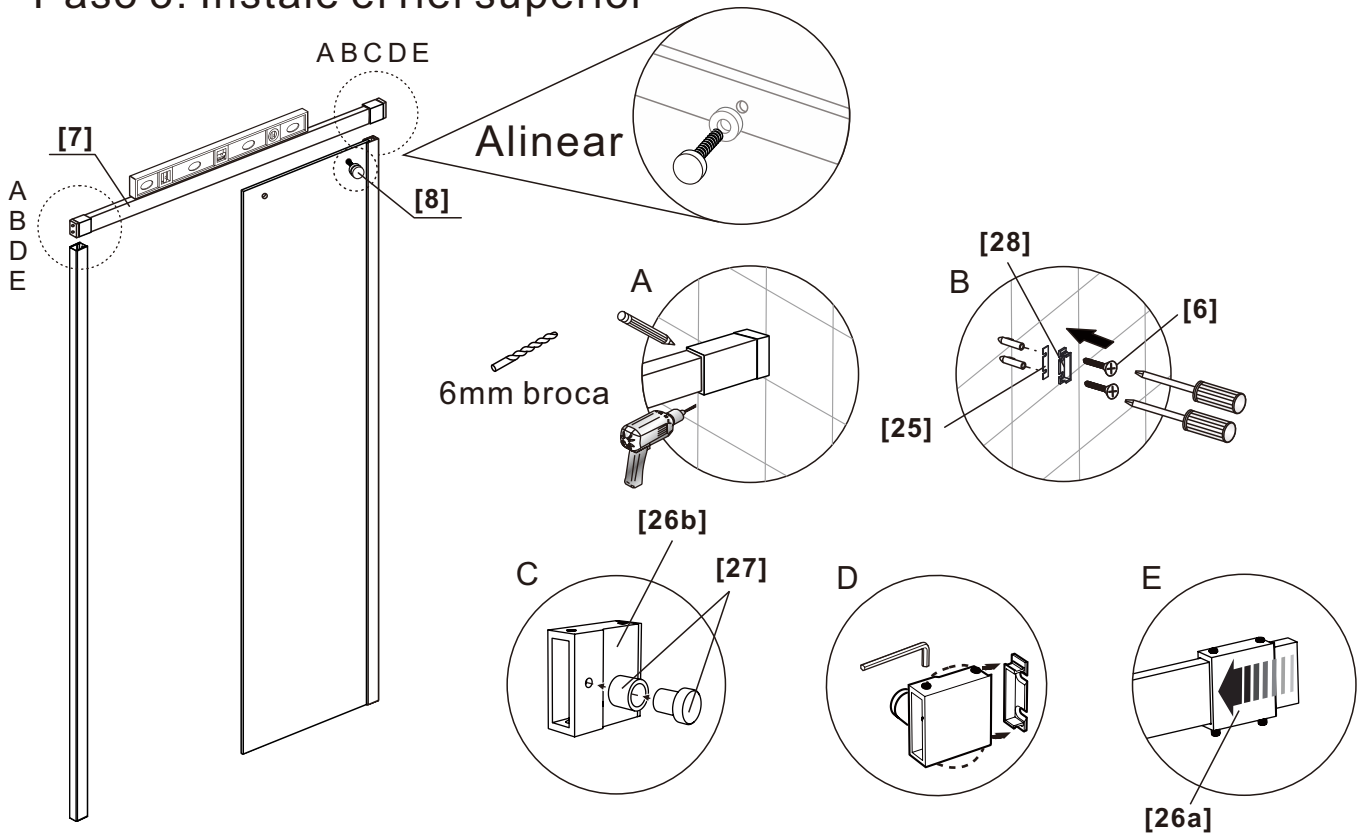
Ranura en forma de "v" al interior



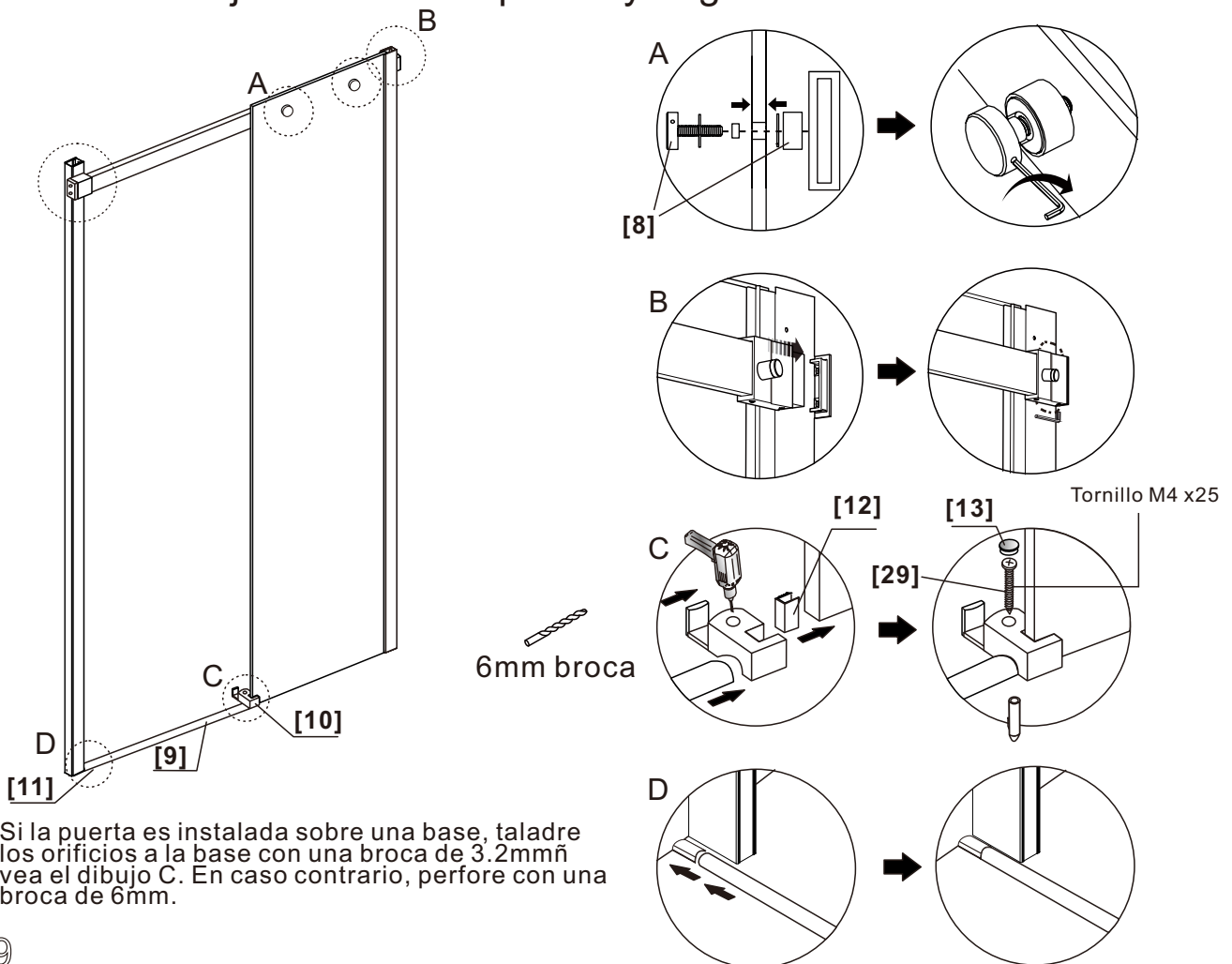
Paso 2: Instale el vidrio fijo



Paso 3: Instale el riel superior

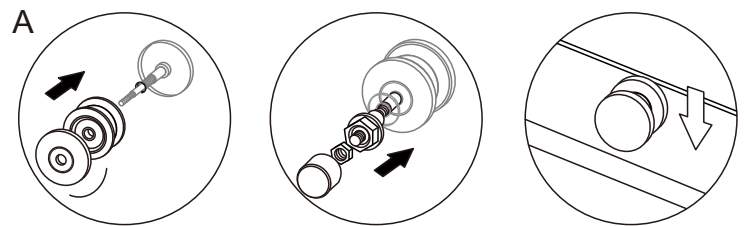
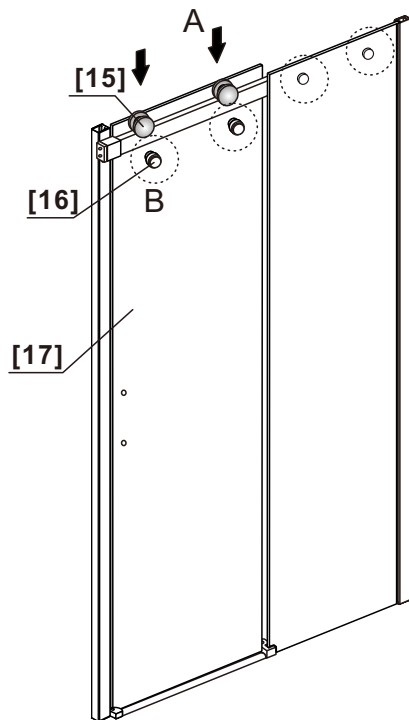


Paso 4: Ajuste el riel superior y la guía inferior

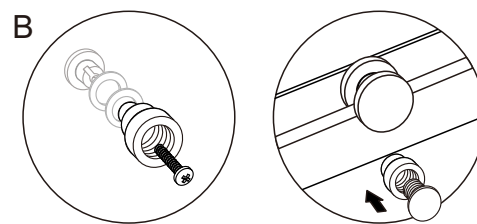


Si la puerta es instalada sobre una base, taladre los orificios a la base con una broca de 3.2mmñ vea el dibujo C. En caso contrario, perforo con una broca de 6mm.

Paso 5: Instale el vidrio deslizante

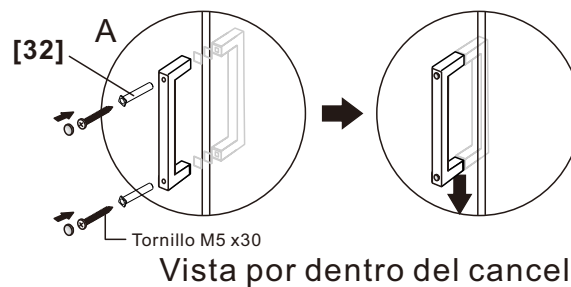
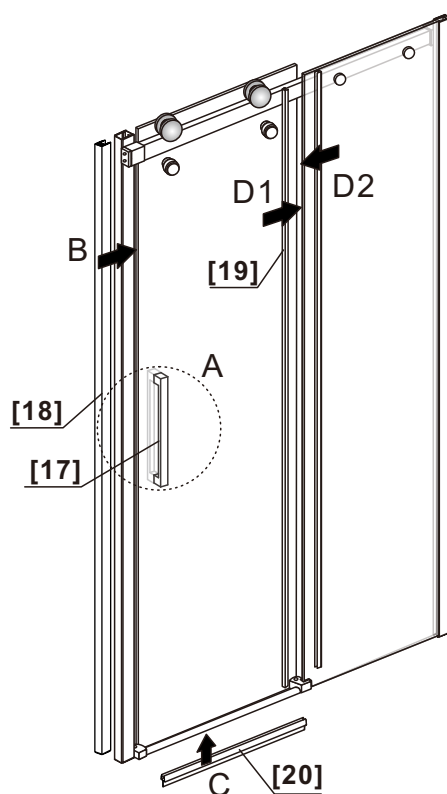


Rueda superior

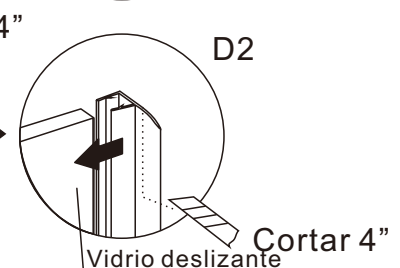
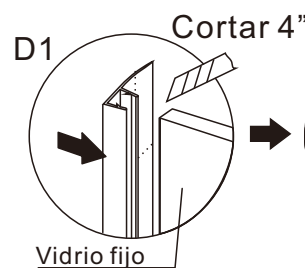
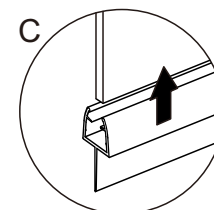
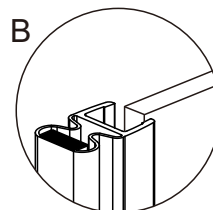


Anti - jump

Paso 6: Instale los plásticos protectores y la manija

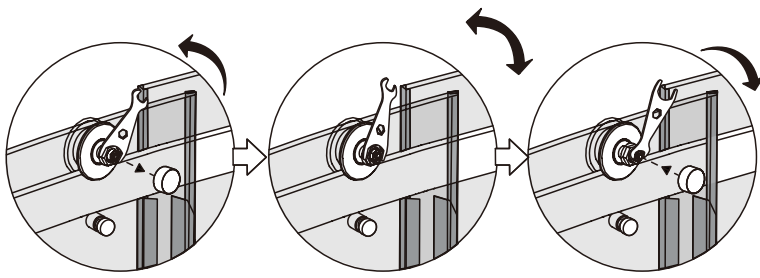


Vista por dentro del cancel

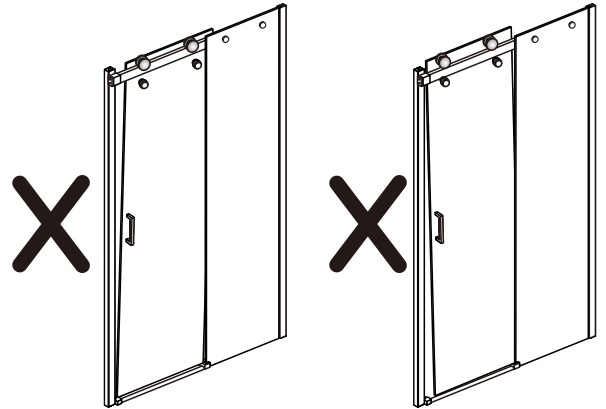


⚠ Asegúrese que los marcos laterales estén nivelados. Ajuste para que la puerta quede nivelada. Debe estar nivelada para que las ruedas operen con suavidad.

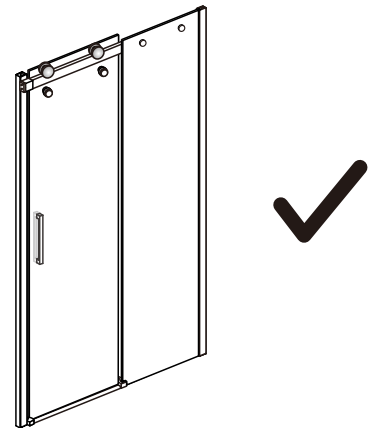
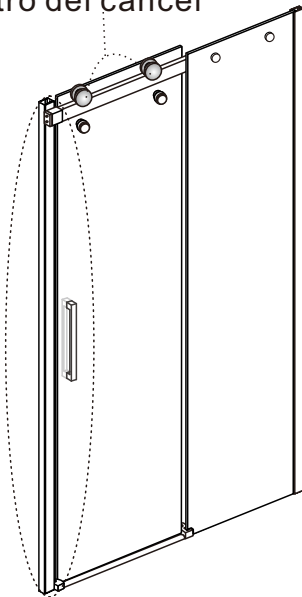
Paso 7: Ajustes de nivel



Vista por dentro del cancel

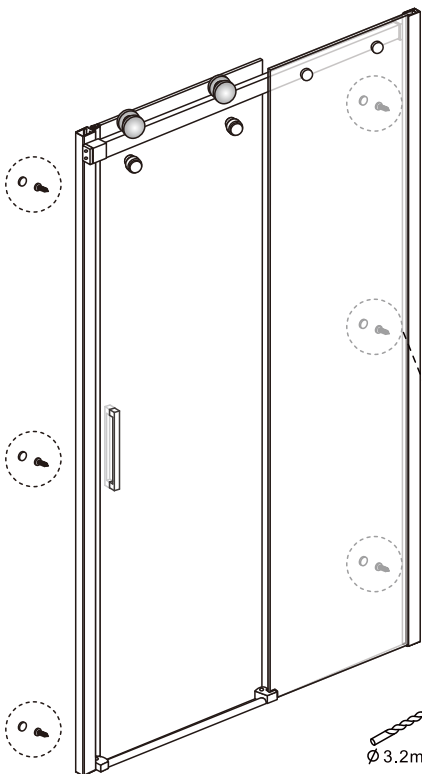


Alinear la puerta con la pared

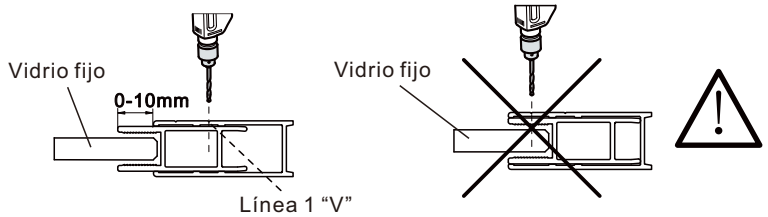


Paso 8: Adhesión final

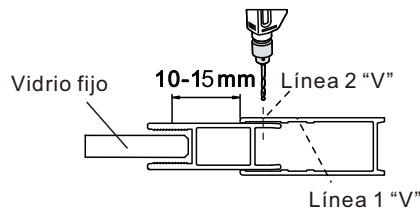
Advertencia: No taladre sobre el vidrio



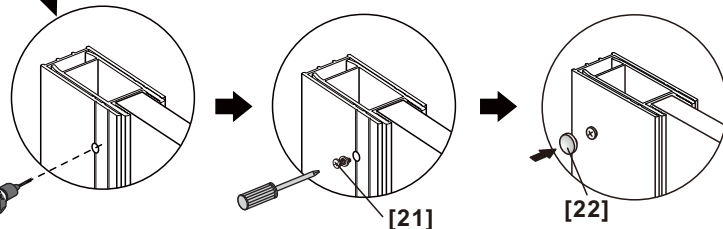
Al hacer ajustes entre 0-10mm, taladre en la Línea 1 "V" más cercana a la pared.



Al hacer ajustes entre 10-15mm, taladre en la Línea 2 "V" más cercana al marco.

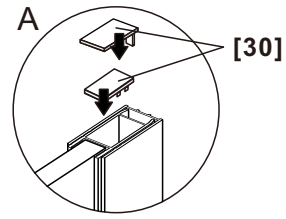
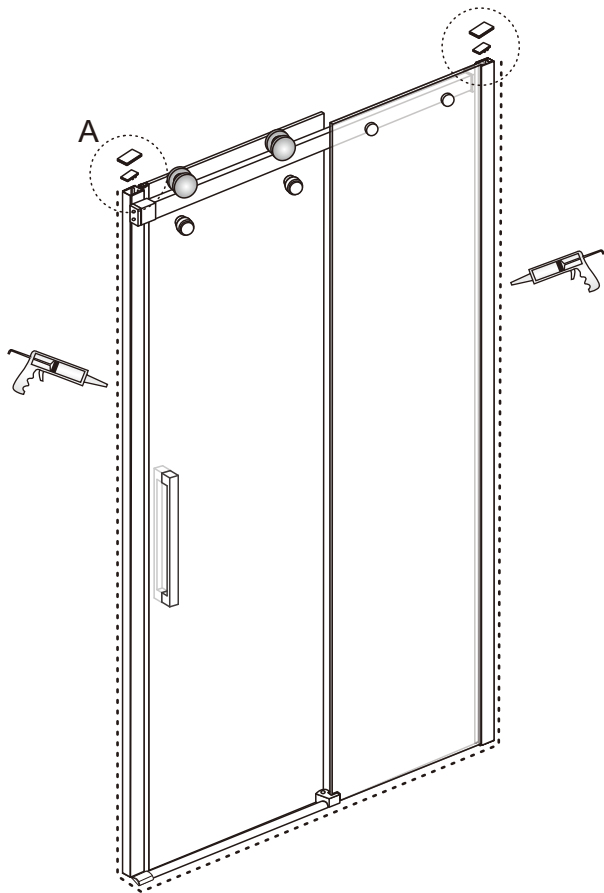


Ø 3.2mm



Vista por dentro del cancel

Paso 9: Aplique silicón en el perímetro del cancel, por dentro y por fuera y adhiera los tapones superiores

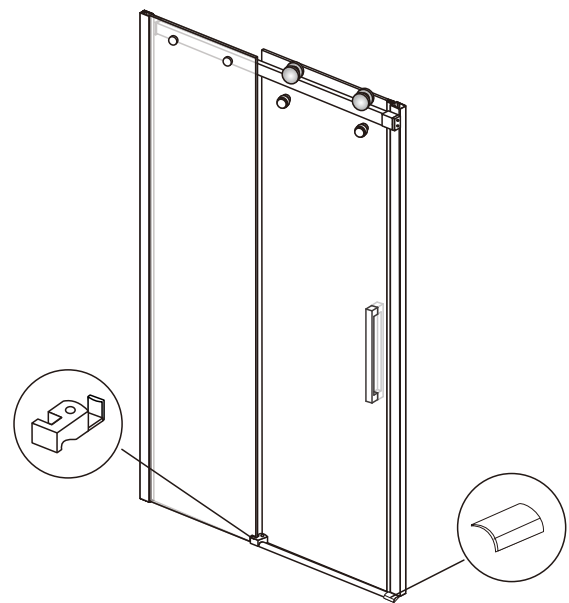
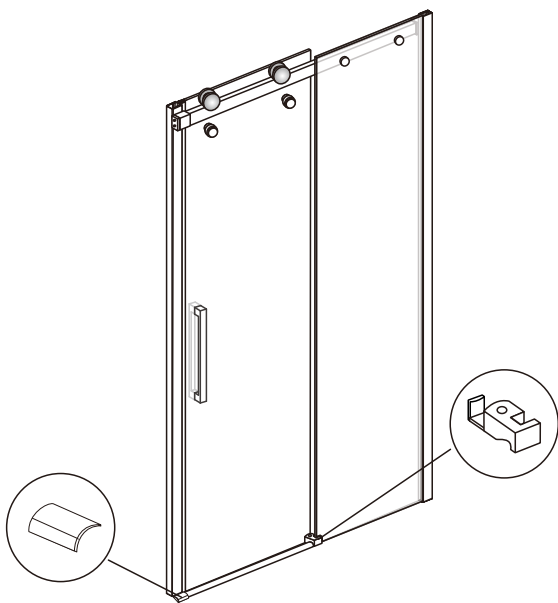


Vista por fuera del cancel



Permita que el silicón seque por 24 horas

NO UTILICE LA REGADERA



Invierta para instalar la entrada de izquierda a derecha